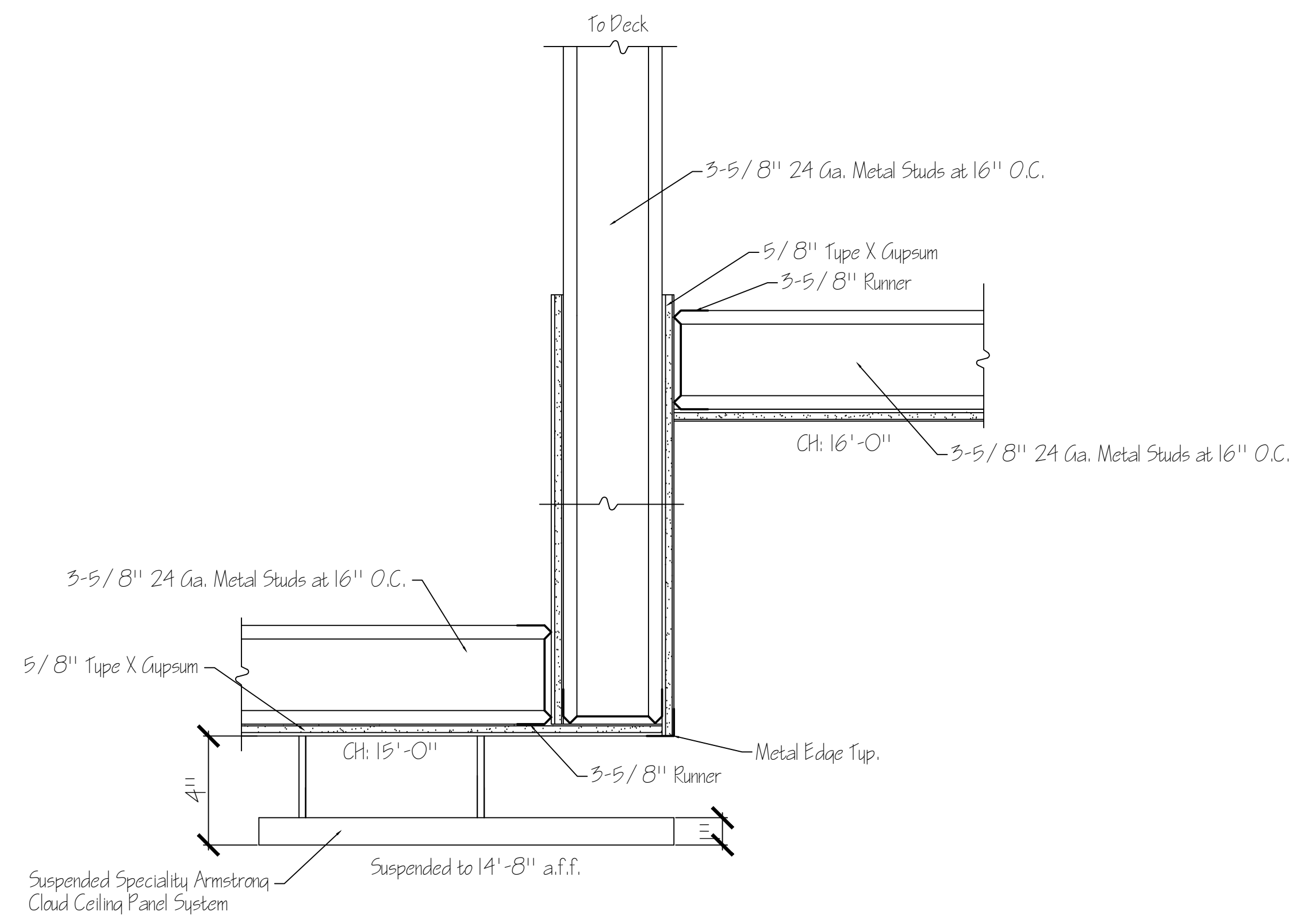


A CEILING SECTION
SCALE: 3" = 1'-0"



B CEILING SECTION
SCALE: 3" = 1'-0"

WILLIS LAW FIRM

SCALE: AS NOTED DRAWN BY: B. SCHWARZ

DATE: SPRING 2011

DES 4790 INTERIOR CONSTRUCTION DOCUMENTS

Ceiling Sections

SHEET: A-5